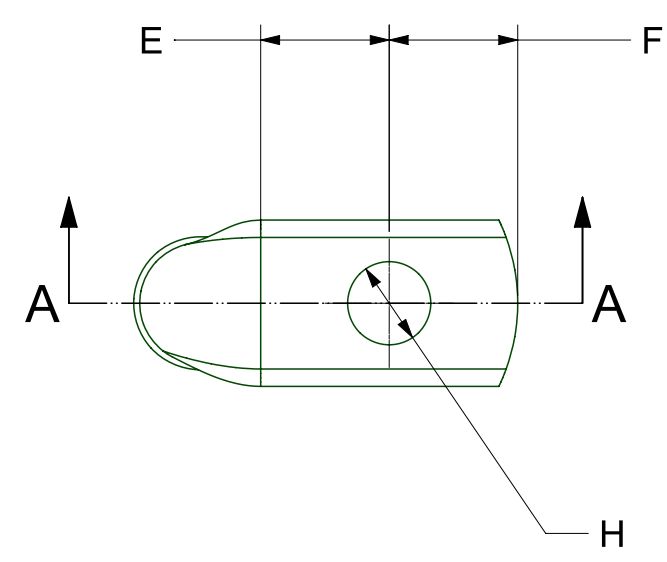
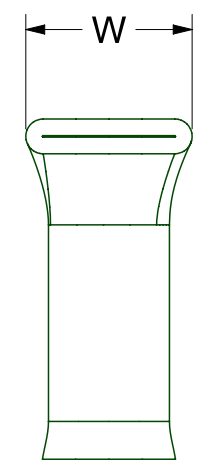
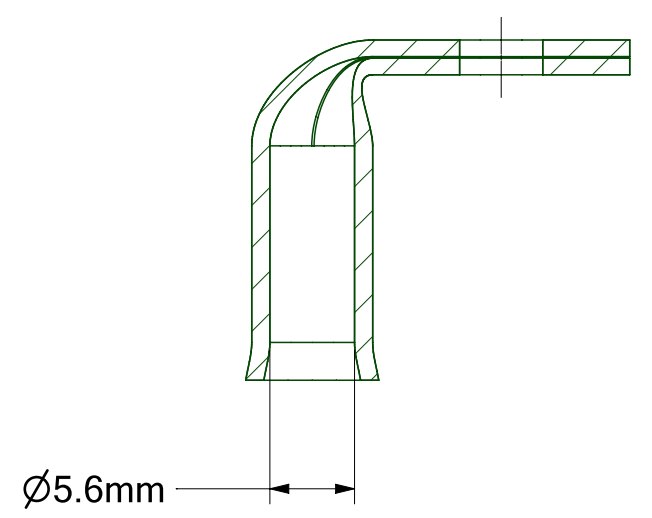


| REVISION HISTORY |                  |
|------------------|------------------|
| 1                | Original Concept |



**SECTION A-A**



| PART NO.       | H (mm) | E (mm) | F (mm) | W (mm) |
|----------------|--------|--------|--------|--------|
| TCHD-B90-16-5  | 5.5    | 8.5    | 8.5    | 11.0   |
| TCHD-B90-16-6  | 6.5    | 8.5    | 8.5    | 11.0   |
| TCHD-B90-16-8  | 8.5    | 8.5    | 8.5    | 11.0   |
| TCHD-B90-16-10 | 10.5   | 11.0   | 11.0   | 15.0   |
| TCHD-B90-16-12 | 13.0   | 11.0   | 11.0   | 15.0   |

**UOS - LINEAR TOLERANCE PERMISSABLE DEVIATIONS FOR SIZE RANGE:**  
Tolerances according to DIN ISO 2768 (V)

| DIMS IN MM | 0.5 to 3 | >3 to 6 | >6 to 30 | >30 to 120 | >120 to 400 | >400 to 1000 | >1000 to 2000 | >2000 to 4000 |
|------------|----------|---------|----------|------------|-------------|--------------|---------------|---------------|
|            | -        | ±0.5    | ±1.0     | ±1.5       | ±2.5        | ±4.0         | ±6.0          | ±8.0          |

**TOTAL CONNECTIONS 2009**

Total Connections 2009 LTD

www.tc2009.co.uk  
sales@tc2009.co.uk  
Tel 01249 812 707

Drawing No. TCDR1990

Material. CW024A (C106) COPPER

Part No. TCHD-B90-16-RANGE

Finish. 5MICRON ELECTRO TIN PLATED

SIZE A3 Date 20/04/2021 Created By: Dan Hewlett REV 1

SCALE 2:1 SHEET 1 of 1